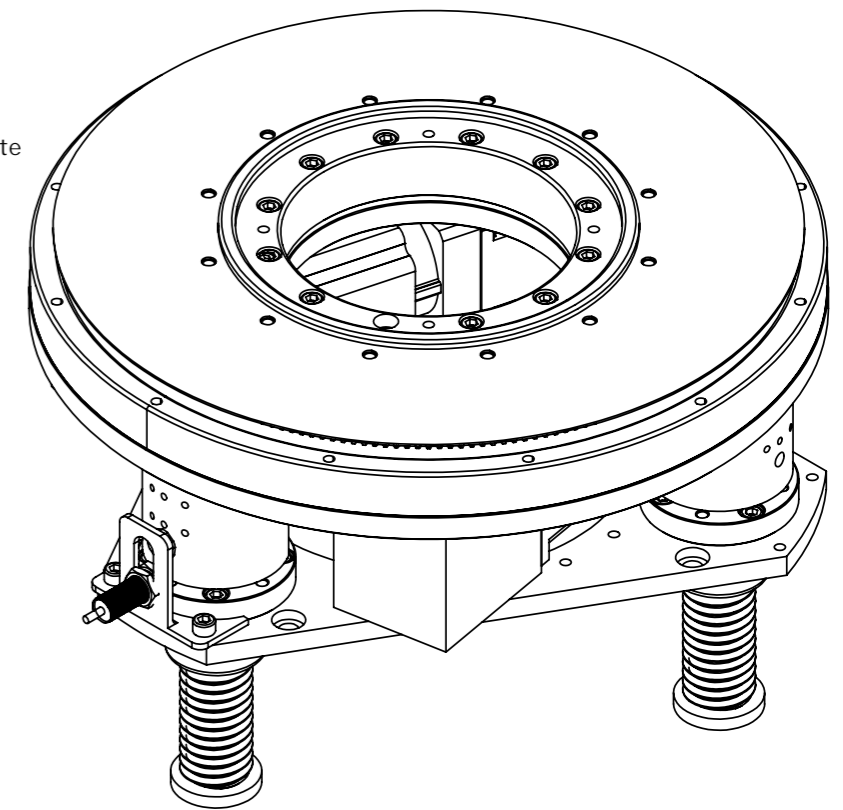
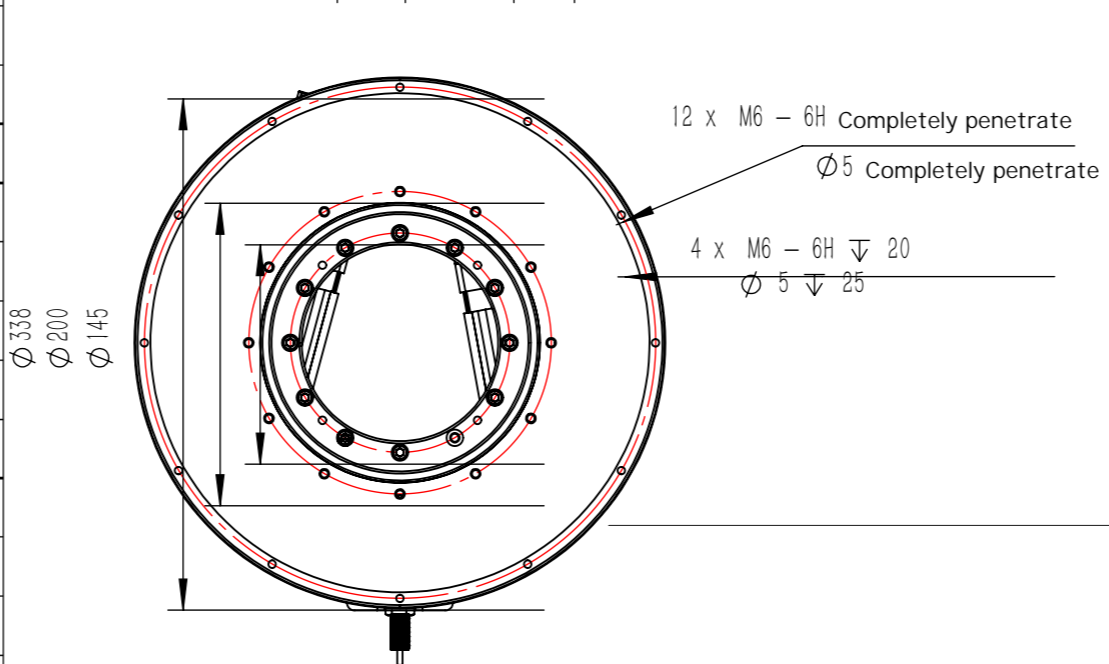
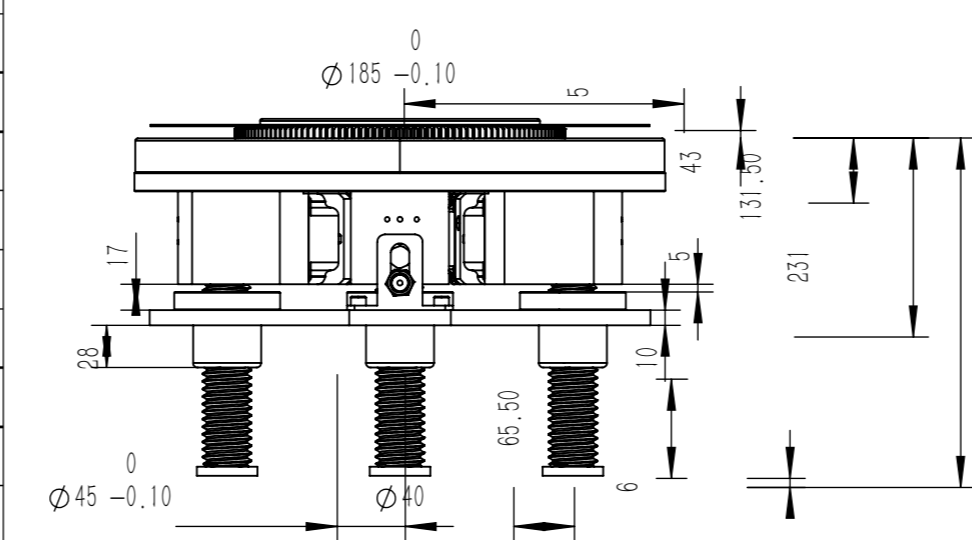
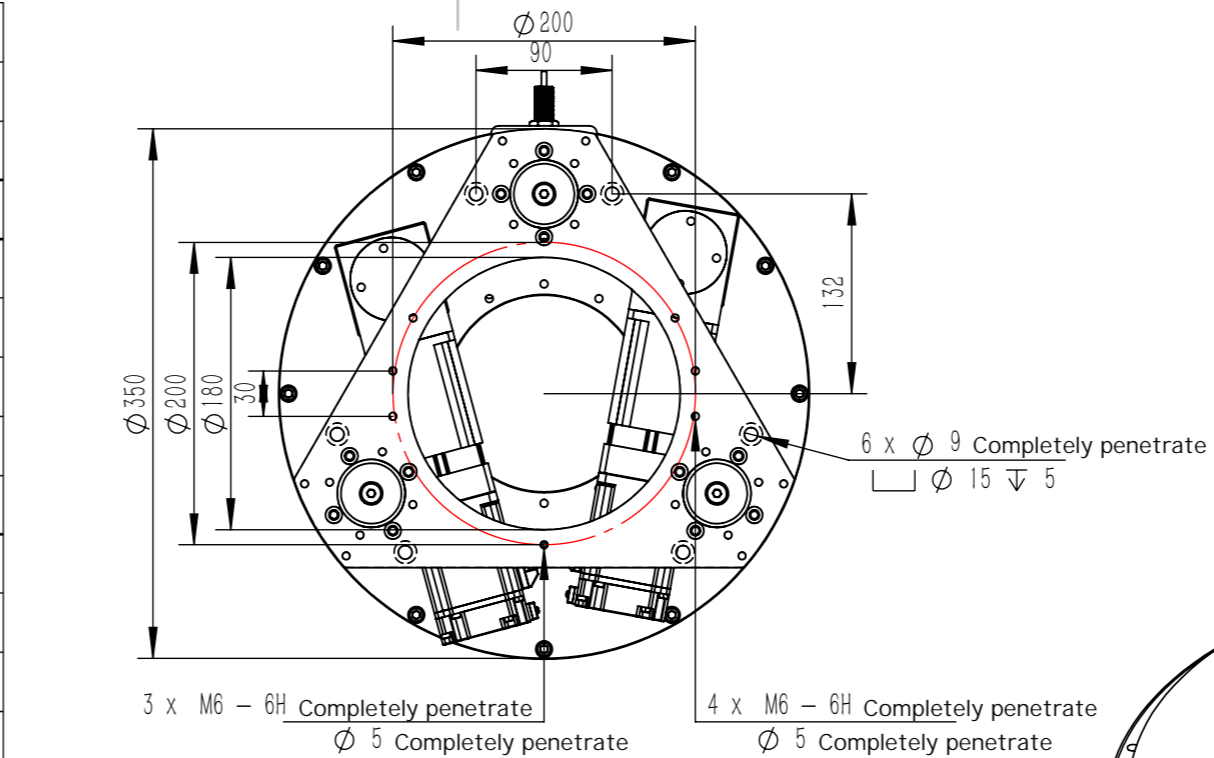



1		2		3	
Motor parameters :					
电机参数	类型Type	DC	伺服电机Servo motor		
	负载Load	kg	500		
	电机品牌Motor brand	HKT-Robot			
	电机型号Motor type	TD6040-SCANK5-1			
	电机型号Motor type	TD6040-SCANK5-1			
	驱动器型号Driver type	FL6D2Z1-A00			
	驱动器型号Driver type	FL6D2Z1-A00			
	电机功率Motor power	W	400		
	电机电压Motor voltage	V	48		
	电机转速Motor speed	Rpm	3000		
	电机电流Motor current	A	11		
	额定扭矩Rated Torque	Nm	1.27		
	防护等级Protection level	IP	65		
编码器Encoder	Magnetic encoding	Incremental			
编码器Encoder	Resolution	2500PPR			

1		2		3	
Lifting parameters :					
升降参数	类型Type	X	行星减速机Planetary reducer		
	行程Route	mm	60		
	丝杆规格Screw rod specification	mm	T32x5		
	减速机速比Speed ratio of reducer	i	30		
	传动齿比Gear ratio	i	8.33		
	升降速度Up and down speed	mm/s	8.3		
	升降时间Up and down time	s	14.4		
限位传感器Limit Sensor	Bi duk	NPN low power is usually on			

1		2		3	
Rotation parameters :					
旋转参数	类型Type	X	行星减速机Planetary reducer		
	减速机速比Speed ratio of reducer	i	30		
	传动齿比Gear ratio	i	6		
	旋转/S Rotation per second	°	100		
	旋转90° Rotation 90°	s	0.9		
旋转原点Origin of rotation	Bi duk	NPN low power is usually on			

1		2		3	
Other :					
其他	减速机润滑Reducer lubrication	Grease lubrication	-20°~200°		
	自重Self weight	kg	Approx. 40		
	应用次数Number of applications	More than 300,000 times			



500KG Lifting and rotating mechanism			
	Weight	Proportion	 HKT Robot 恒科通机器人
	40	1:5	
Model:HKT-DSXZ-500-60-400			
Shenzhen Hengketong Robot Co., Ltd.			