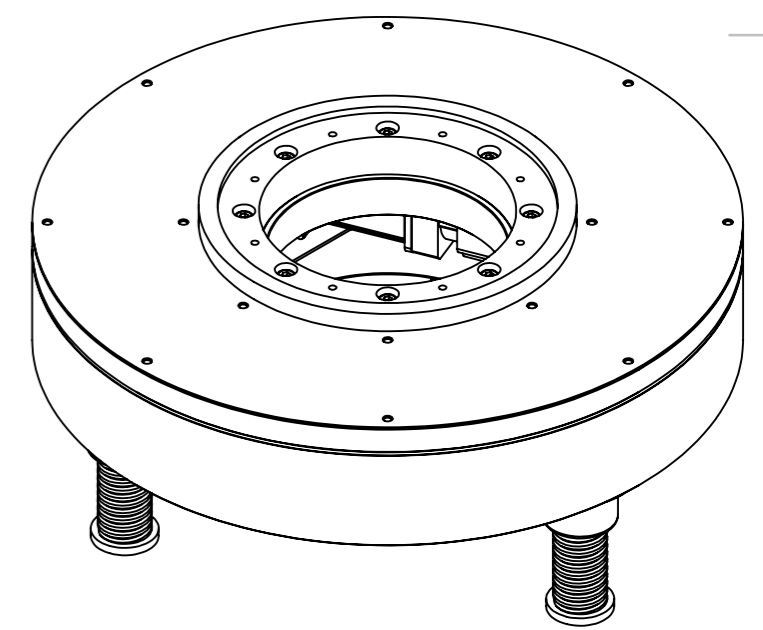
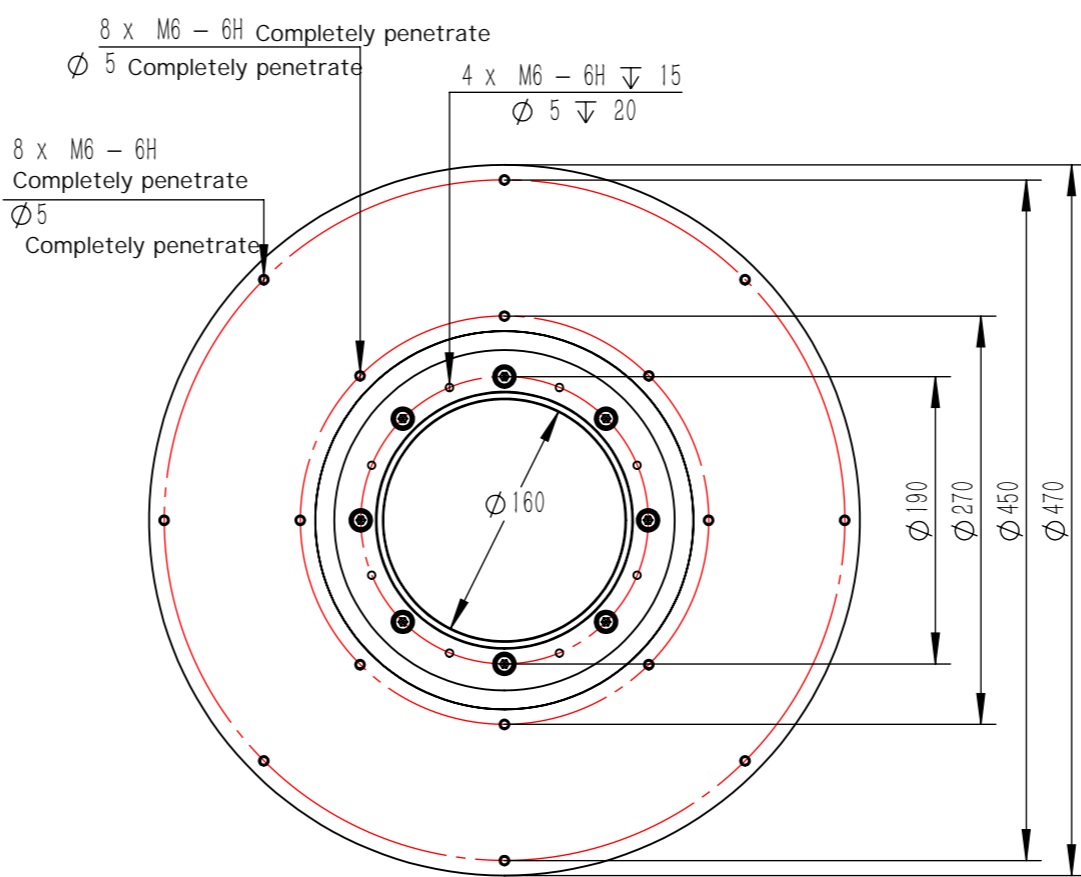
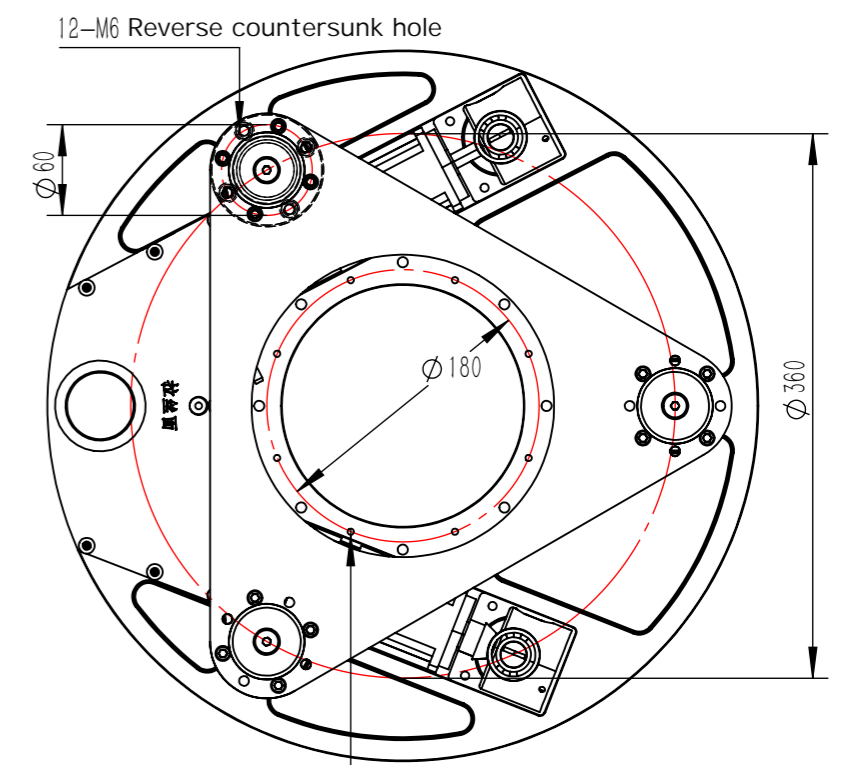
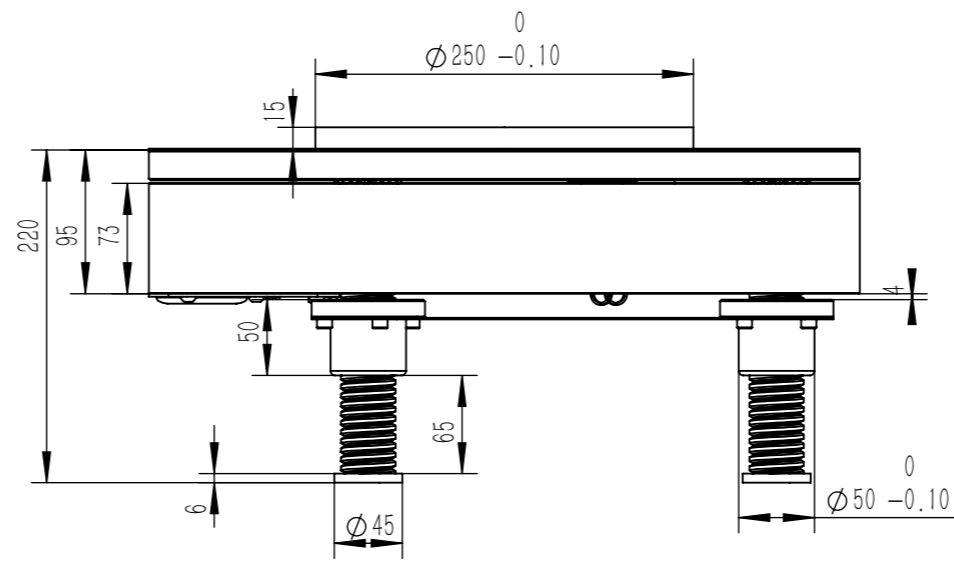



	1	2	3	4	5	6	7	8
A 电机参数	Motor parameters:							
	类型Type	DC	伺服电机Servo motor					
	负载Load	kg	1000					
	电机品牌Motor brand	HKT-Robot						
	电机型号Motor type	TD6060-SCANK5-1						
	电机型号Motor type	TD6060-SCANK5-1						
	驱动器型号Driver type	FL6D2Z1-A00						
	驱动器型号Driver type	FL6D2Z1-A00						
	电机功率Motor power	W	600					
	电机电压Motor voltage	V	48					
	电机转速Motor speed	Rpm	3000					
	电机电流Motor current	A	16					
	额定扭矩Rated Torque	Nm	1.91					
	防护等级Protection level	IP	65					
	编码器Encoder	Magnetic encoding	Incremental					
编码器Encoder	Resolution	2500PPR						
B 升降参数	Lifting parameters:							
	类型Type	X	行星减速机Planetary reducer					
	行程Route	mm	60					
	丝杆规格Screw rod specification	mm	T36x6					
	减速机速比Speed ratio of reducer	i	30					
	传动齿比Gear ratio	i	8					
	升降速度Up and down speed	mm/s	10					
	升降时间Up and down time	s	12.00					
限位传感器Limit Sensor	Bi duk	NPN low power is usually on						
C 旋转参数	Rotation parameters:							
	类型Type	X	行星减速机Planetary reducer					
	减速机速比Speed ratio of reducer	i	30					
	传动齿比Gear ratio	i	10					
	旋转/S Rotation per second	°	60					
	旋转90° Rotation 90°	s	1.5					
旋转原点Origin of rotation	Bi duk	NPN low power is usually on						
D 其他	Others:							
	减速机润滑Reducer lubrication	Grease Lubrication	-20°~200°					
	自重Self weight	kg	Approx. 45.6					
	应用次数Number of applications	More than 300,000 times						



1000KG Lifting and rotating mechanism			
	Weight	Proportion	 <b>HKT Robot</b> 恒科通机器人
	45.6	1:5	
Model:HKT-DSXZ-1T-60-600			
Shenzhen Hengketong Robot Co., Ltd.			